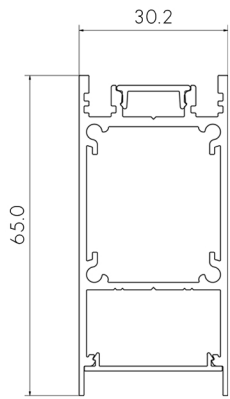


1 PRODUCT OVERVIEW



BOB EACH WAY 65

2 JOIN EXTRUSIONS, INSTALL LED STRIP & DIFFUSER

1. IF USING MULTIPLE LENGTHS OF EXTRUSION, SLIDE EXTRUSIONS TOGETHER ON TO LOCATOR PLATES & JOINER OR BEND PLATE (SEE FIG. 1 & 2).
2. FEED LED STRIP CABLE THROUGH HOLES IN EXTRUSION AS SHOWN.
3. **IMPORTANT:** BEFORE MOUNTING LED STRIP, CLEAN EXTRUSION USING AN ALCOHOL BASED CLEANER.
4. REMOVE BACKING FROM LED STRIP TO EXPOSE STICKY SURFACE. LAY LED STRIP INTO EXTRUSION, USING THE SMALL GROOVES IN THE BACK OF THE EXTRUSION AS A GUIDE.
5. CLIP DIFFUSERS INTO EXTRUSION, ENSURING A FIRM CONNECTION (SEE FIG. 1).

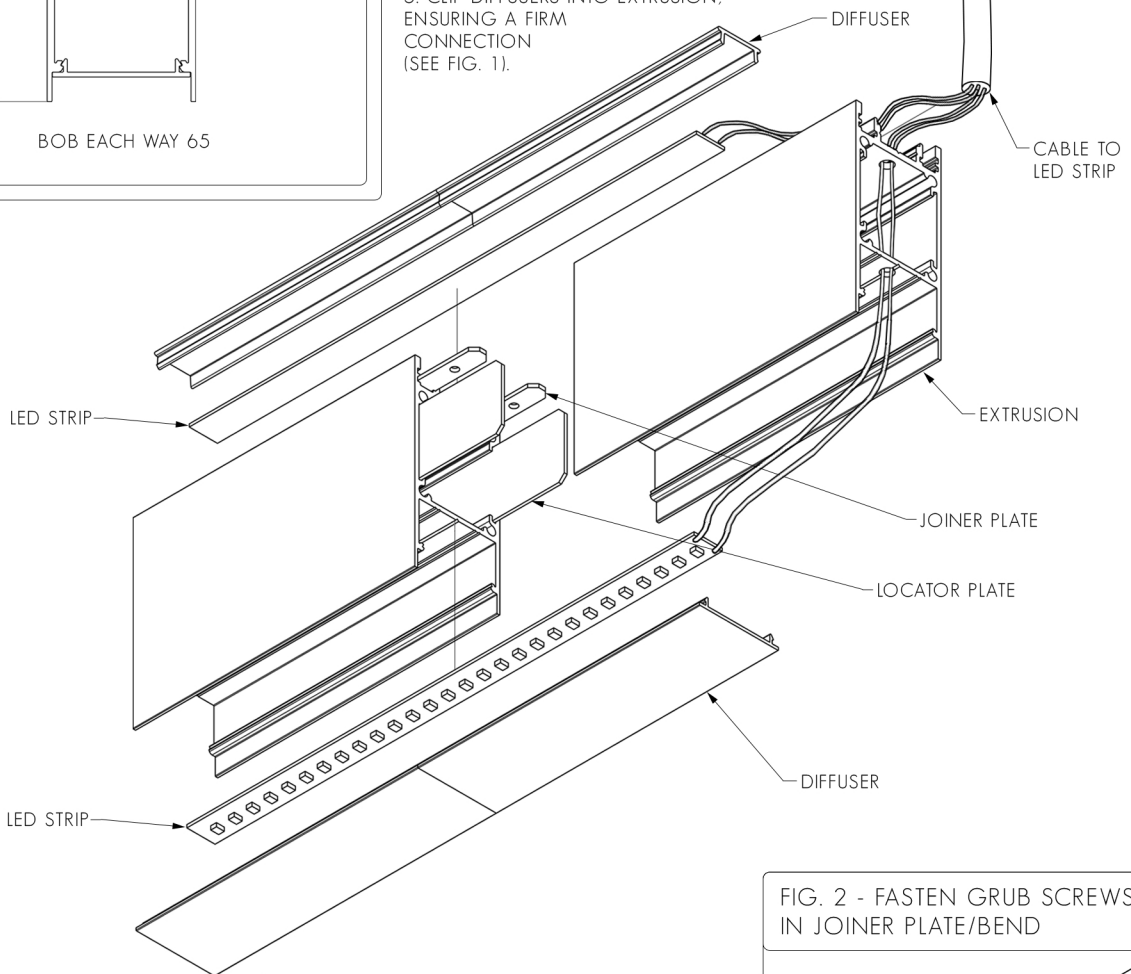


FIG. 1 - ENSURE DIFFUSER IS MOUNTED SECURELY

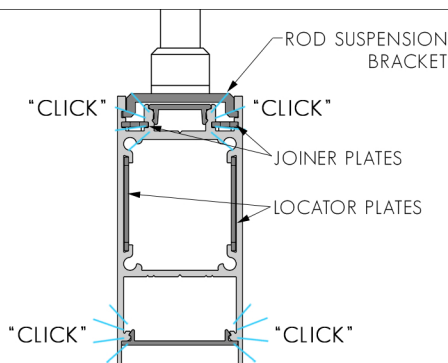
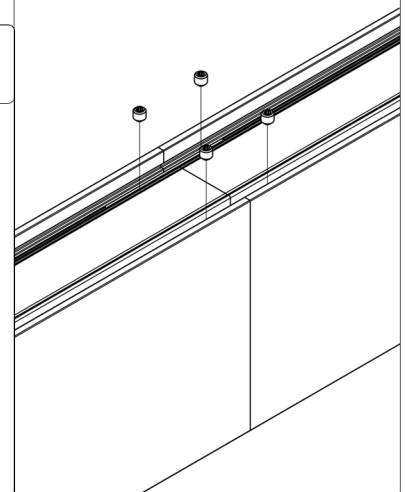


FIG. 2 - FASTEN GRUB SCREWS IN JOINER PLATE/BEND



3 INSERT END CAPS, ASSEMBLE ROD SUSPENSION COMPONENTS

- CUT SUSPENSION ROD TO REQUIRED LENGTH, MAKING SURE TO CUT THE END WITHOUT THE THREAD.
- DRILL 4MMØ HOLE THROUGH ONE WALL ONLY OF THE ROD SUSPENSION, 8MM DOWN FROM THE TOP END OF THE ROD.
- SCREW THE 'SUSPENSION COLLAR' ON TO THE THREADED ENDS OF THE SUSPENSION RODS.
- FEED THE 'ROD SUSPENSION BASE' THROUGH THE HOLE IN THE 'ROD SUSPENSION BRACKET', THEN SCREW THE 'SUSPENSION COLLAR' ON TO THE 'ROD SUSPENSION BASE'. THE 'ROD SUSPENSION BASE' SHOULD FIT INTO THE REBATE IN THE 'ROD SUSPENSION BRACKET' WHICH WILL STOP IT FROM SPINNING (SEE FIG. 3).
- INSERT END CAPS INTO ENDS OF EXTRUSION.
- INSERT CABLE BASE 60 ON TO SUSPENSION RODS AND ALLOW THEM TO REST WHILE GOING TO THE NEXT STEP. IF USING A SURFACE MOUNTED CABLE BASE, SEE FIG. 4.
- ATTACH CEILING BRACKETS TO TOPS OF SUSPENSION RODS AND LOCK IN TO PLACE BY TIGHTENING GRUB SCREW ON ONE SIDE AND HEX HEAD SCREW ON OTHER SIDE, ENSURING HEX HEAD SCREW FITS THROUGH 4MMØ HOLE IN SUSPENSION ROD.
- LIFT LIGHT ASSEMBLY UP TO CEILING AND MARK LOCATIONS OF CEILING BRACKETS.

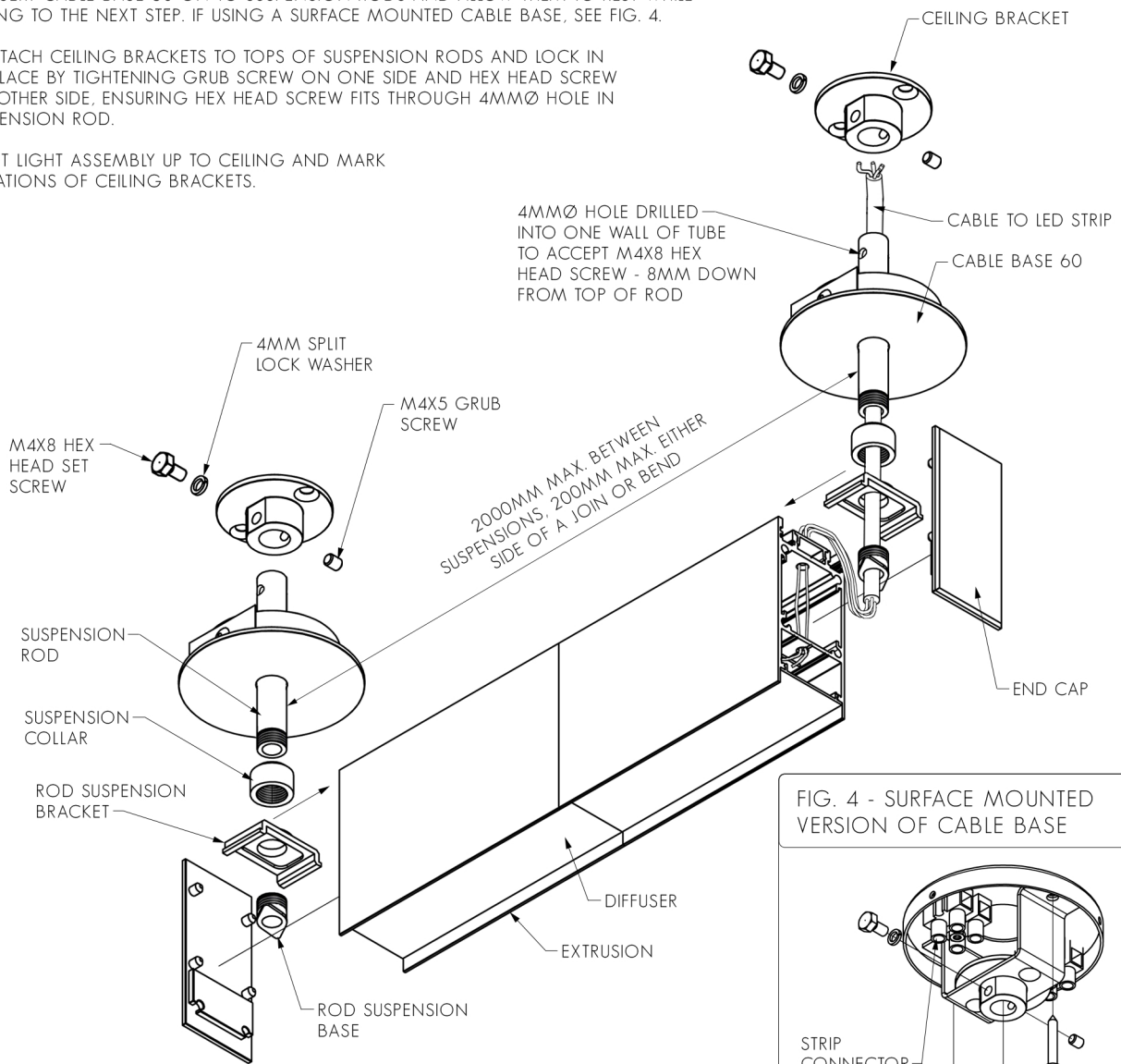


FIG. 3 - ENSURE ROD SUSPENSION BASE IS SECURE IN ROD SUSPENSION BRACKET

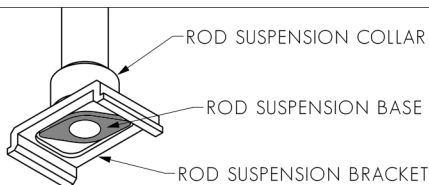
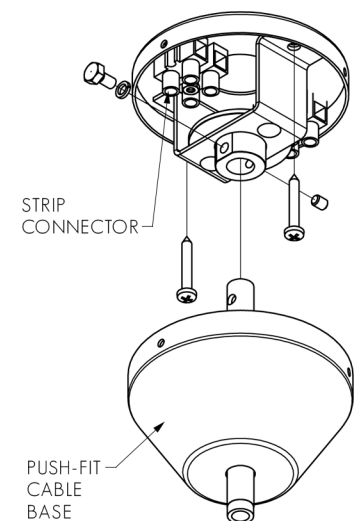


FIG. 4 - SURFACE MOUNTED VERSION OF CABLE BASE



4 MAKE ELECTRICAL CONNECTION, HANG LIGHT, INSTALL CABLE BASES

1. USE A HOLE SAW TO CUT 47-48MMØ HOLES FOR CABLE BASES, USING THE LOCATIONS MARKED IN PREVIOUS STEP. IF USING SURFACE MOUNTED CABLE BASE, SKIP THIS STEP AND GO ON TO NEXT STEP.
2. MAKE ELECTRICAL CONNECTION: CONNECT LED STRIP TAILS TO LED DRIVER.
3. LIFT LIGHT ASSEMBLY UP TO CEILING AND FIX CEILING BRACKETS INTO FRAMING USING 6GX25MM CSK SCREWS (OR SIMILAR).. IF NECESSARY, REMOVE CEILING BRACKETS FROM ROD SUSPENSION TEMPORARILY BEFORE SCREWING TO CEILING. ENSURE THE ORIENTATION OF CEILING BRACKET LINES UP WITH HOLE IN SUSPENSION ROD.
4. PUSH CABLE BASE INTO HOLE IN CEILING (SEE FIG. 5).

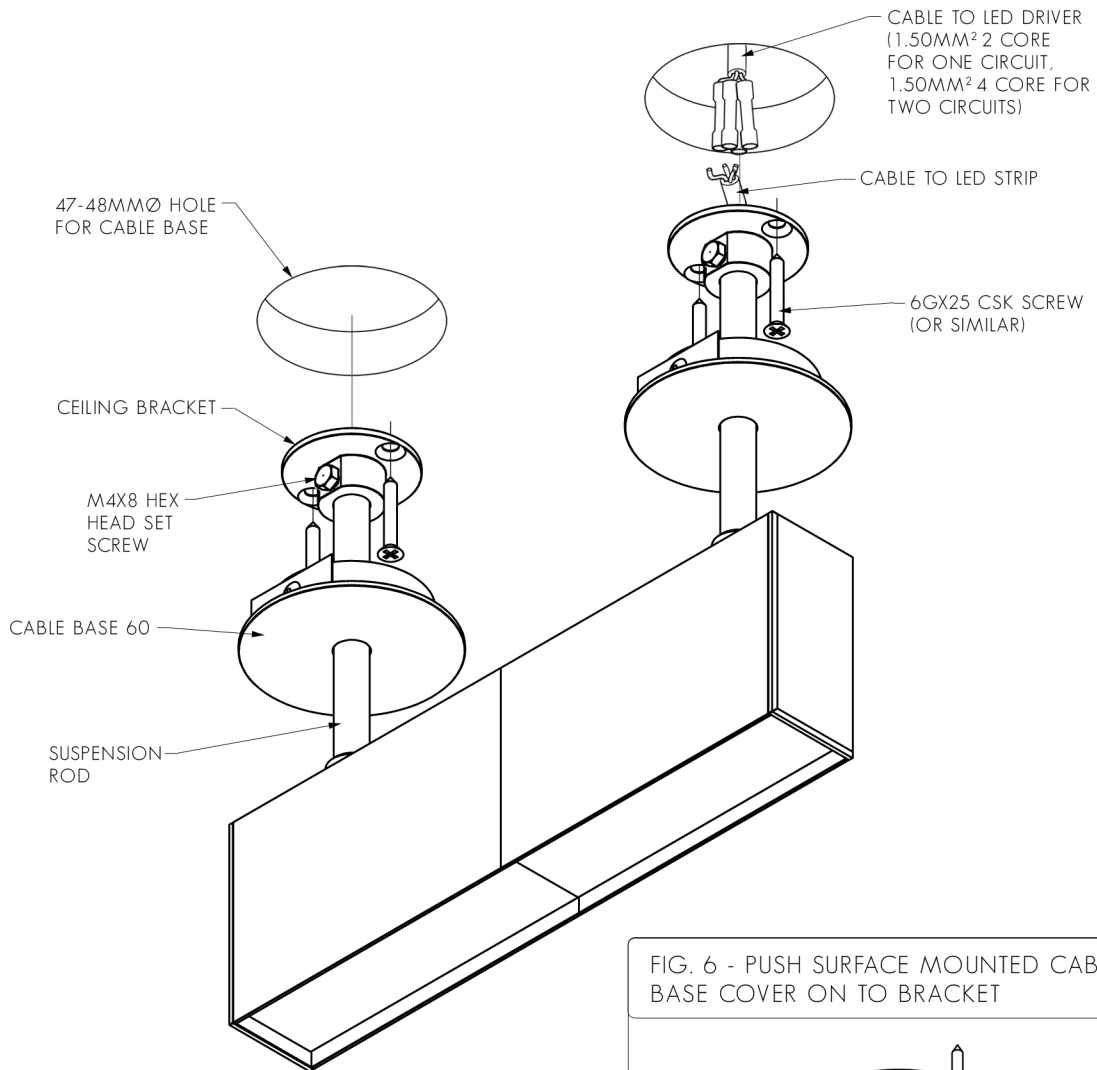


FIG. 6 - PUSH SURFACE MOUNTED CABLE BASE COVER ON TO BRACKET

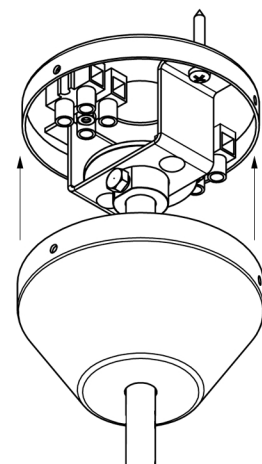


FIG. 4 - ENSURE SUSPENSION RODS ARE TIGHTLY SECURED

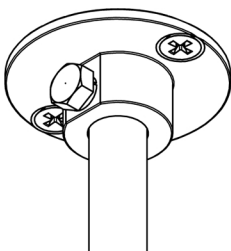


FIG. 5 - INSERT CABLE BASE IN TO CEILING

