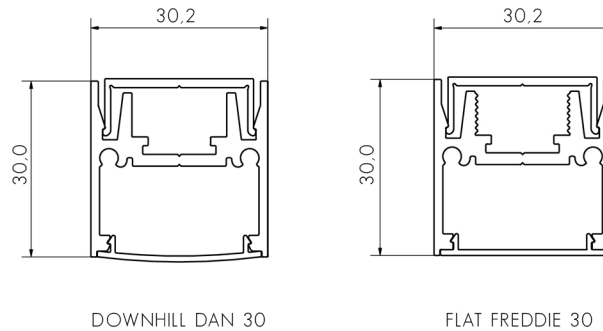


1

PRODUCT OVERVIEW



DOWNHILL DAN 30

FLAT FREDDIE 30

2

MOUNT EXTRUSION, MAKE ELECTRICAL CONNECTION.

NOTE: MAXIMUM SPACE BETWEEN SCREWS SHOULD BE 400MM. SCREWS MUST BE POSITIONED WITHIN 100MM OF EACH END AND WITHIN 100MM EITHER SIDE OF A JOIN OR BEND. E.G. A 1000MM EXTRUSION SHOULD HAVE 3 MOUNTING POINTS, ONE CENTRED AND ONE EACH END WITHIN 100MM.

1. FEED LED STRIP TAILS (OR CABLE) THROUGH HOLE IN EXTRUSION AND CLAMP USING CORD GRIP SUPPLIED. (SEE FIG. 2 ON NEXT PAGE). DO NOT INSTALL LED STRIP AT THIS POINT.
2. MAKE ELECTRICAL CONNECTION: CONNECT LED STRIP TAILS TO LED DRIVER (SEE FIG. 2 ON NEXT PAGE IF SUPPLIED WITH MALE/FEMALE CONNECTORS).
3. IF USING MULTIPLE LENGTHS OF EXTRUSION, SLIDE EXTRUSIONS TOGETHER ON TO JOINER OR BEND PLATE AND LOCK TOGETHER USING GRUB SCREWS.
4. SCREW EXTRUSION TO SURFACE. SEE FIG. 1 ON NEXT PAGE.

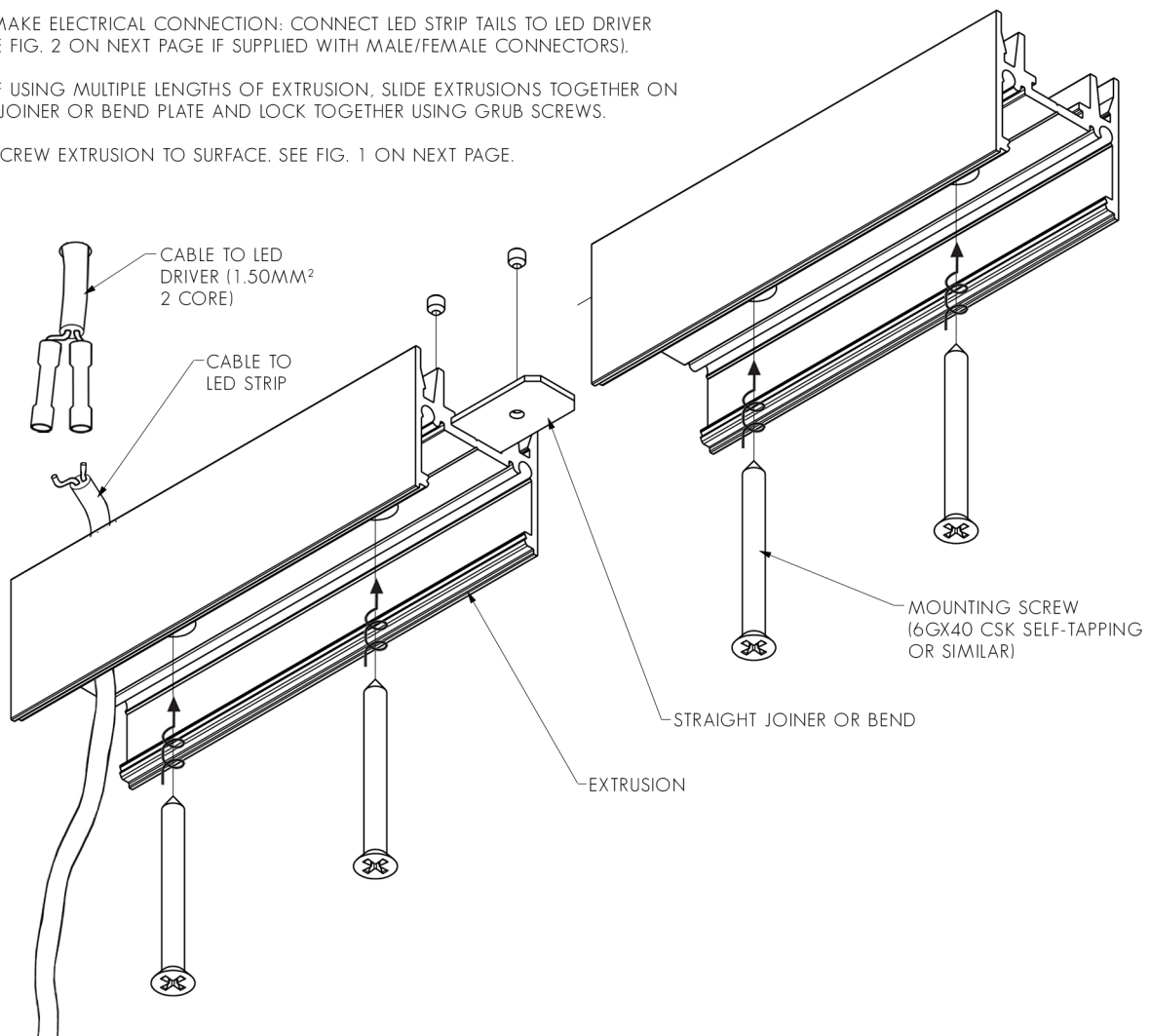


FIG. 1 - FASTEN CABLE USING CORD GRIP

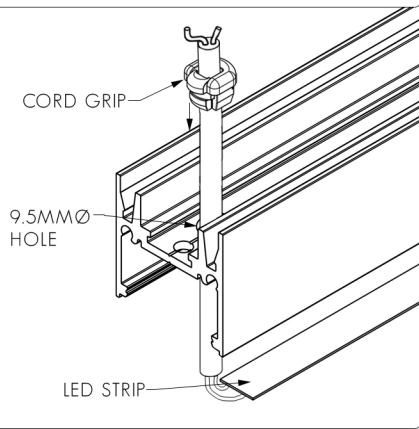


FIG. 2 - MAKE ELECTRICAL CONNECTION

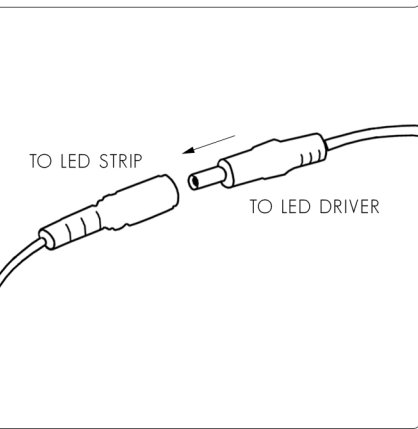
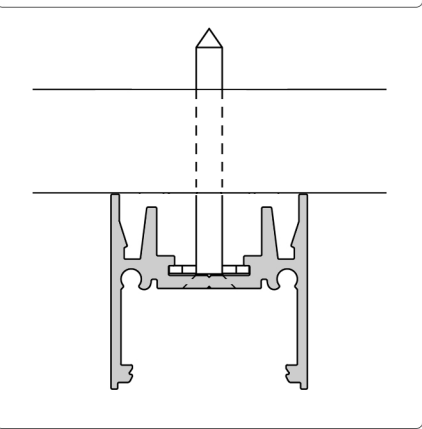


FIG. 3 - ENSURE EXTRUSION IS MOUNTED SECURELY



**3** CLEAN EXTRUSION, INSTALL LED STRIP, DIFFUSER AND END CAPS

1. **IMPORTANT:** BEFORE MOUNTING LED STRIP, CLEAN EXTRUSION USING AN ALCOHOL BASED CLEANER.
2. REMOVE BACKING FROM LED STRIP TO EXPOSE STICKY SURFACE. LAY LED STRIP INTO EXTRUSION. USE A DAB OF SILICON AT EACH END OF THE LED STRIP TO PREVENT ENDS FROM LIFTING OFF EXTRUSION.
3. CLIP DIFFUSER INTO EXTRUSION, ENSURING A FIRM CONNECTION (SEE FIG. 4).
4. SLIDE END CAPS INTO ENDS OF EXTRUSION.

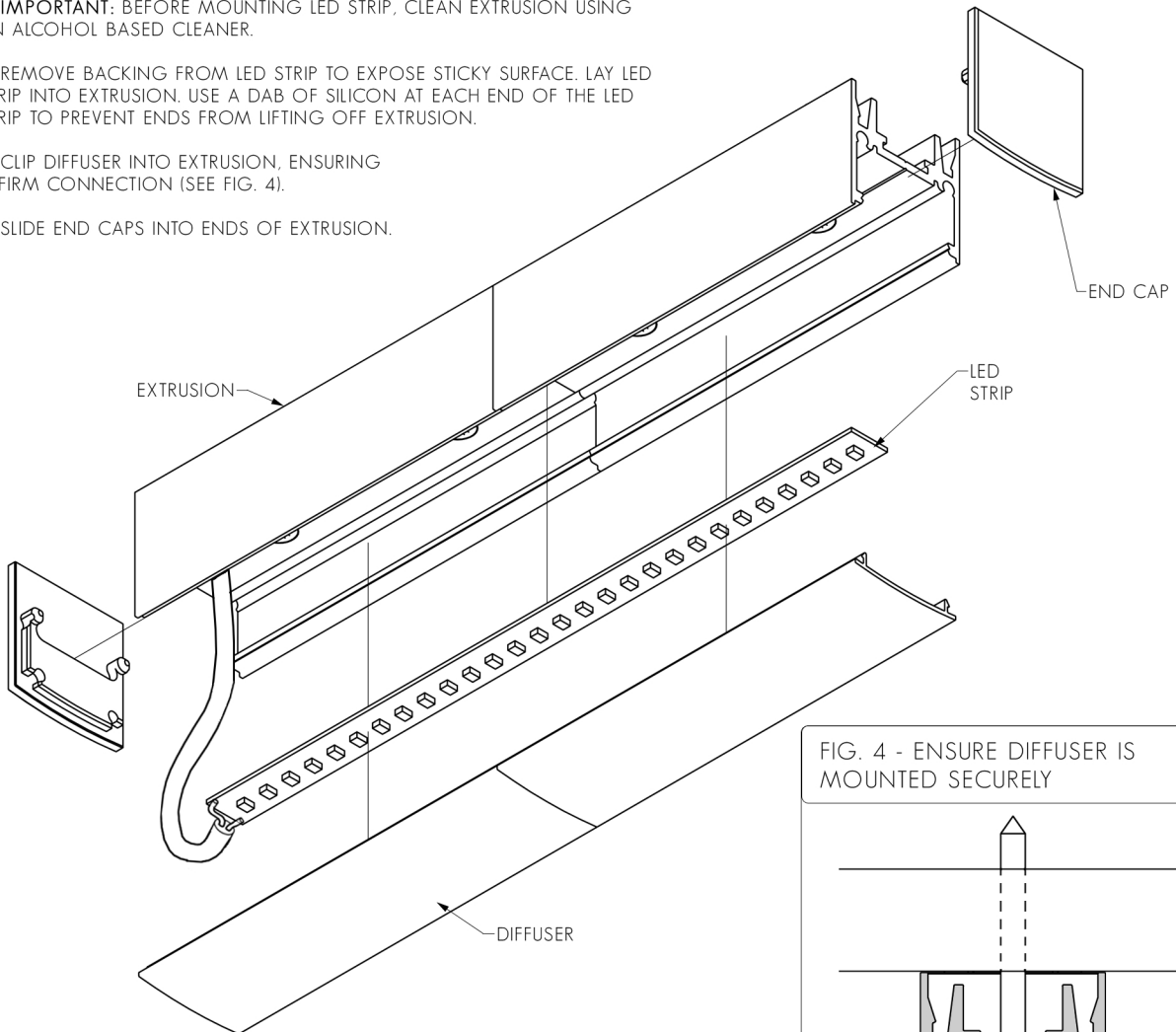


FIG. 4 - ENSURE DIFFUSER IS MOUNTED SECURELY

