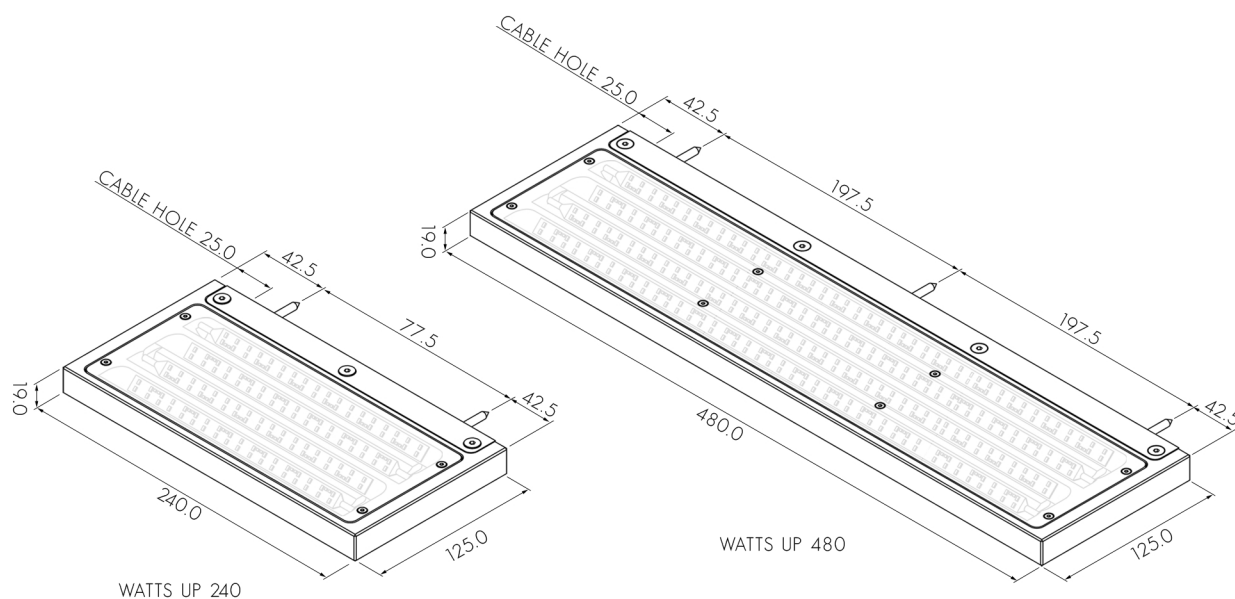


**1** PRODUCT OVERVIEW



**2** ASSEMBLE, CONNECT TO REMOTE DRIVER AND INSTALL.

**WARNING:** CABLE HOLE IN WALL SHOULD NOT EXCEED 14MM IN DIAMETER.

1. PREPARE THE LED STRIP IN 200MM (APPROX.) LENGTHS FOR WATTS UP 240 OR 400MM (APPROX.) FOR WATTS UP 480, CONNECTED BY CABLE.

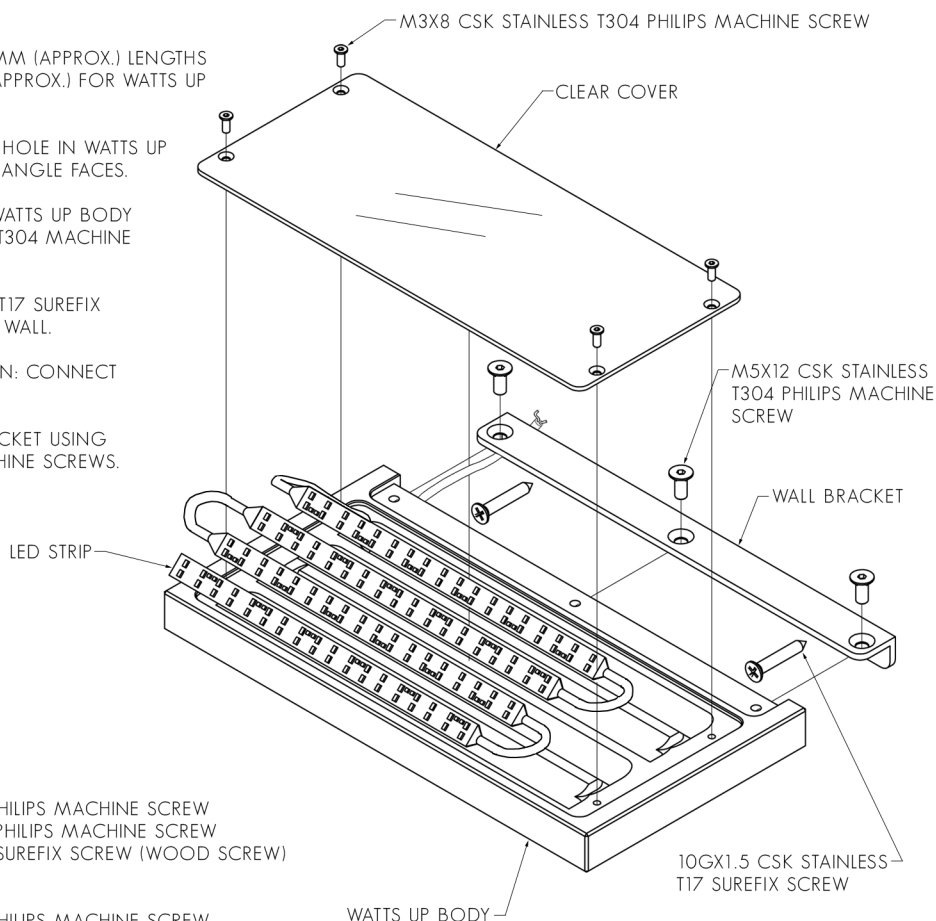
2. FEED POWER CABLE THROUGH HOLE IN WATTS UP BODY AND LAY LED STRIP ON TO ANGLE FACES.

3. SCREW CLEAR COVER ON TO WATTS UP BODY USING THE M3X8 CSK STAINLESS T304 MACHINE SCREWS.

4. USING THE 10GX1.5 STAINLESS T17 SUREFIX SCREWS, AFFIX WALL BRACKET TO WALL.

5. MAKE ELECTRICAL CONNECTION: CONNECT LED STRIP CABLE TO DRIVER.

6. SCREW WATTS UP TO WALL BRACKET USING M5X12 CSK STAINLESS T304 MACHINE SCREWS.



**KEY FOR SCREWS:**

**WATTS UP 240**

- 4 X M3X8 CSK STAINLESS T304 PHILIPS MACHINE SCREW
- 3 X M5X12 CSK STAINLESS T304 PHILIPS MACHINE SCREW
- 2 X 10GX1.5 CSK STAINLESS T17 SUREFIX SCREW (WOOD SCREW)

**WATTS UP 480**

- 6 X M3X8 CSK STAINLESS T304 PHILIPS MACHINE SCREW
- 5 X M5X12 CSK STAINLESS T304 PHILIPS MACHINE SCREW
- 3 X 10GX1.5 CSK STAINLESS T17 SUREFIX SCREW (WOOD SCREW)